

LS-200

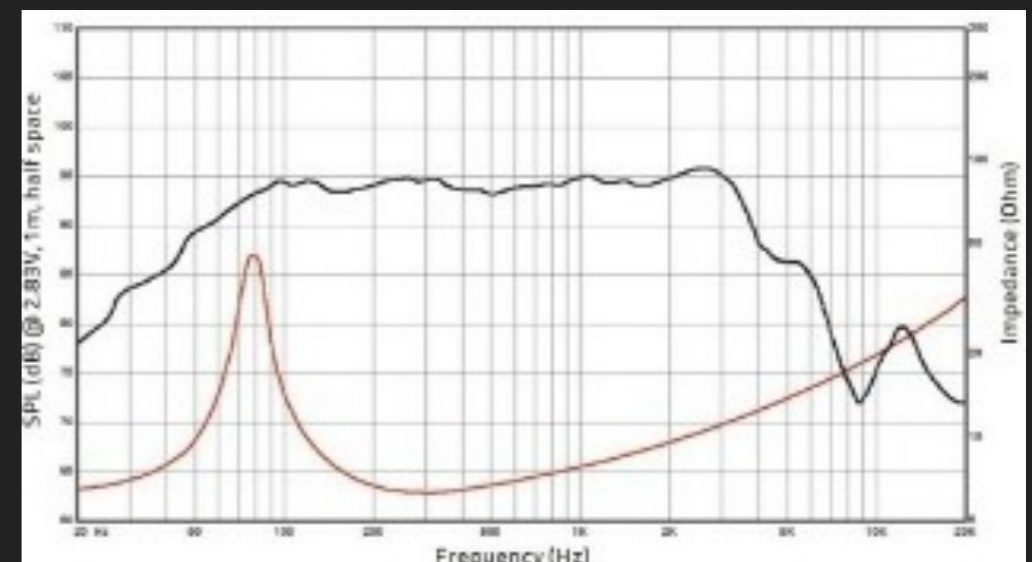
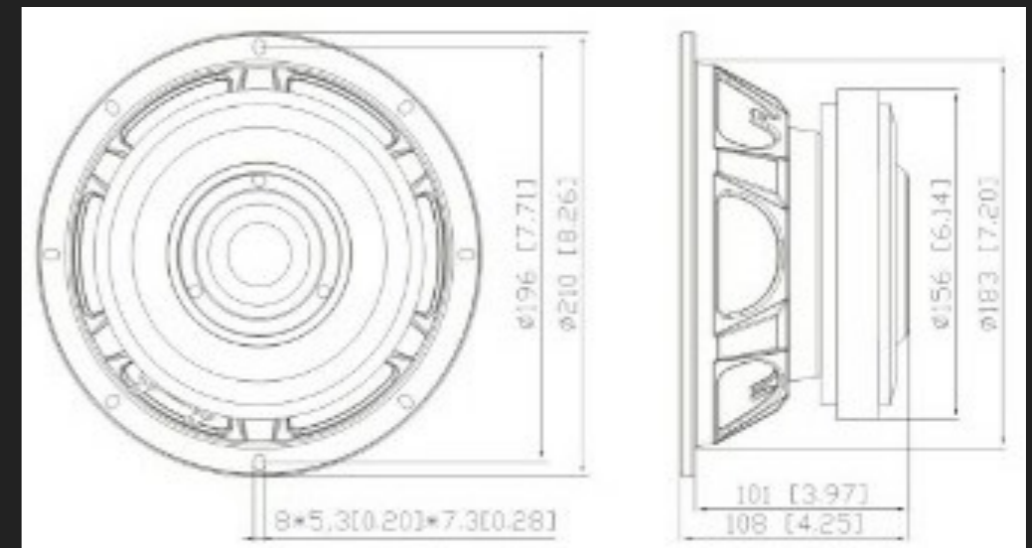
AUDIOTECHNIK

8" WOOFER

- 2,5 INCH COPPER VOIC COIL
- 96 DB/ SPL SENSIVITY
- 500 WATT PROGRAMM POWER HANDING
- OPTIMIZED MOTOR AND SUSPENSION

GENERAL SPECIFICATION

NOMINAL DIAMETER	MM (INC)	210
NOMINAL IMPEDANCE	OHM	8
WATT MAX	W	500
WATT RMS	W	250
SENSIVITY	DB	96
FREQUENCY RANGE	HZ	70-3500
VOICE COIL	MM (INC)	65 (2,5)
MAGNET MATERIAL	FERRITE	



DC RESISTANCE	RE	4,5
RESONANCE FREQUENCY	FS	78
MOVING MASS	MMS	24
COMPLIANCE	CMS	0,17
FORCE FACTOR	BL	13,20
MECHANICAL Q-FACTOR	QMS	3,5
ELECTRICAL Q-FACTOR	QES	0,4
TOTAL Q-FACTOR	QTS	0,36
EQUIVALENT AIR VOLUME	VAS	17
VOICE COIL INDUCTANCE	LE	0,19
DIAPHRAGM AREA	SD	227